

Supa™ Stainless Steel Collection



Suitable for PVCu, timber,
aluminium & composite doors



Part of ASSA ABLOY



KM 535608



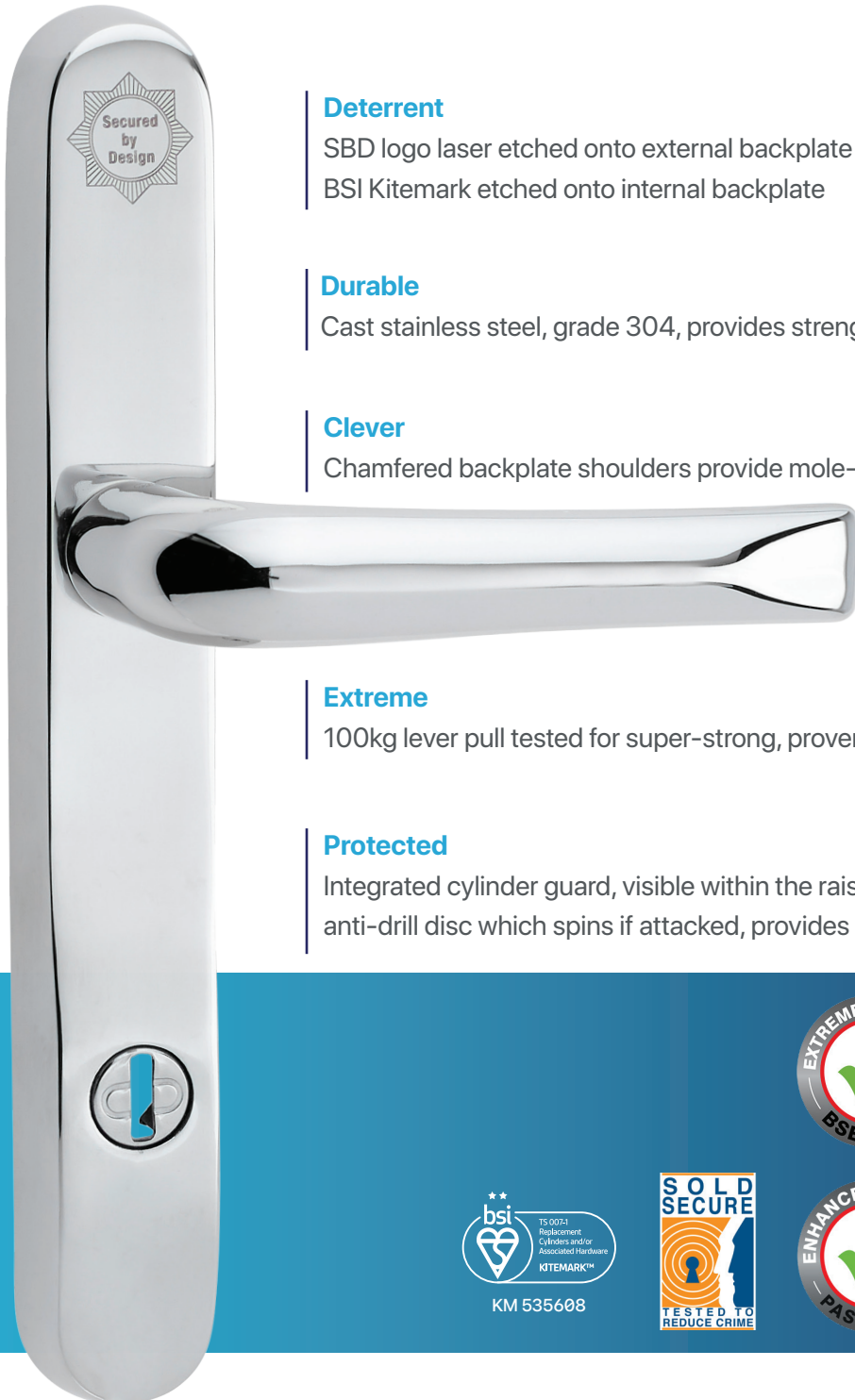
Police Preferred Specification



Contents

Page	Product
4	SupaSecure™ Door Handle High security stainless steel door handle. SBD approved. 
6	Supa™ Door Handle Standard security stainless steel door handle.
8	Supa™ Safety Door Handle Stainless steel door handle designed with accessibility in mind.
10	Supa™ Town Lever on Rose Door Handle Complete with matching round escutcheon.
12	Supa™ Letterplate Standard security stainless steel letterplate.
14	Supa™ Pull Bar Collection Inline, offset, bow, D, V shape stainless steel designs.
18	Supa™ Square Pull Bars Inline, offset and inline mitred stainless steel designs.
20	Supa™ Door Knobs 3 stainless steel finishes.
22	Supa™ Fixing Kit Guide Back to back, though and concealed installation options.
24	SupaSecure™ Escutcheons 2 stainless steel styles. SBD approved. 
26	Supa™ Escutcheons Standard, pull and square designs.
28	Supa™ Numerals and Letters Stainless steel accessories.
30	Supa™ Door Knocker Range Victorian Urn, Victorian Urn Slimline, Ponytail, Victorian Scroll, Modern Oval and Doctor.

SupaSecure™ Stainless Steel Door Handles



Deterrent

SBD logo laser etched onto external backplate
BSI Kitemark etched onto internal backplate

Durable

Cast stainless steel, grade 304, provides strength and a long-lasting finish.

Clever

Chamfered backplate shoulders provide mole-grip resistance

Extreme

100kg lever pull tested for super-strong, proven axial strength

Protected

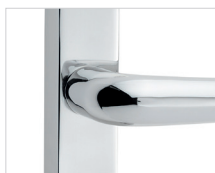
Integrated cylinder guard, visible within the raised backplate, combined with an anti-drill disc which spins if attacked, provides complete cylinder protection



SUPA™ Stainless Steel Finishes.



Brushed Stainless



Polished Stainless



Polished Gold Stainless

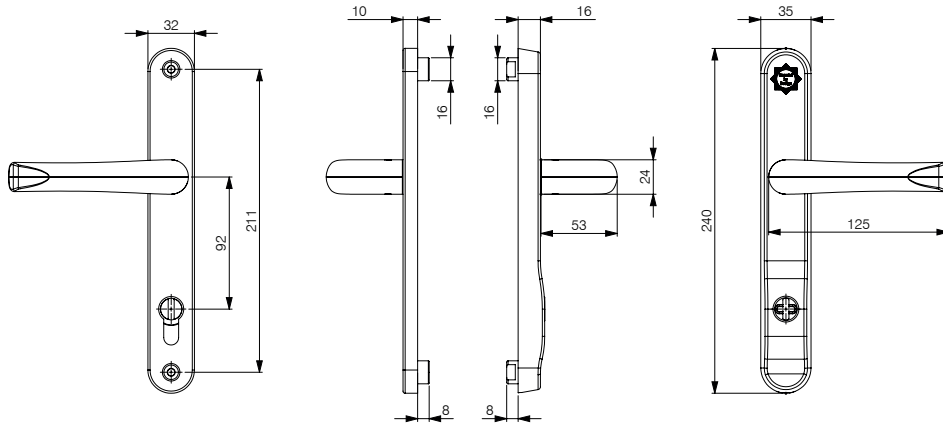


Short Backplate Option!

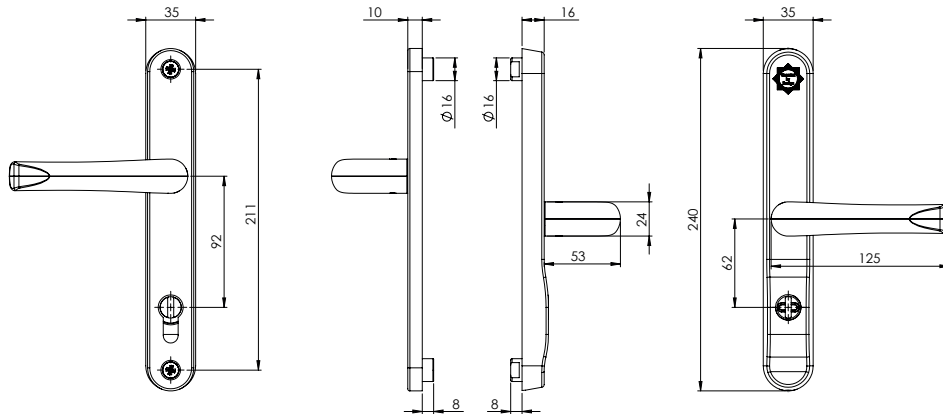
Universal design for both left and right handed doors. Now available in 240mm and 220mm backplate.

Technical Drawing

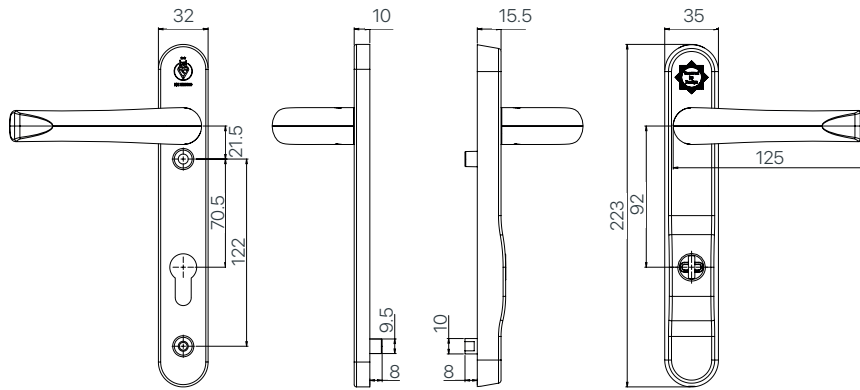
240mm | 92PZ



240mm | 92/62PZ



220mm | 92PZ



Part Numbers

Description	Grade	Variant	Backplate	PZ	Polished Stainless	Brushed Stainless	Polished Gold Stainless	Brushed Gold Stainless
SupaSecure™ Door Handle	304	Lever/Lever	240mm	92	570241	570242	570244	570243
SupaSecure™ Door Handle	304	Lever/Pad	240mm	92	570281	570282	570284	-
SupaSecure™ Door Handle	304	Lever/Pad	240mm	92/62	570251	570252	570254	570253
SupaSecure™ Door Handle	316	Lever/Lever	240mm	92	571241	571242	571244	-
SupaSecure™ Door Handle	316	Lever/Pad	240mm	92/62	571251	571252	571254	-
SupaSecure™ Door Handle	304	Lever/Lever	220mm	92	570002	570004	570001	-

Supa™ Stainless Steel Door Handles



Durable

Manufactured from high quality stainless steel, available in grade 304 & 316

Stylish

Simply designed for a modern aesthetic

Ergonomic

A sprung lever ensures consistent return to 90° to avoid 'handle sag'



Available in lever/ lever and lever/ pad designs.

Blank backplate options available.



SUPA™ Stainless Steel Finishes.



Brushed Stainless



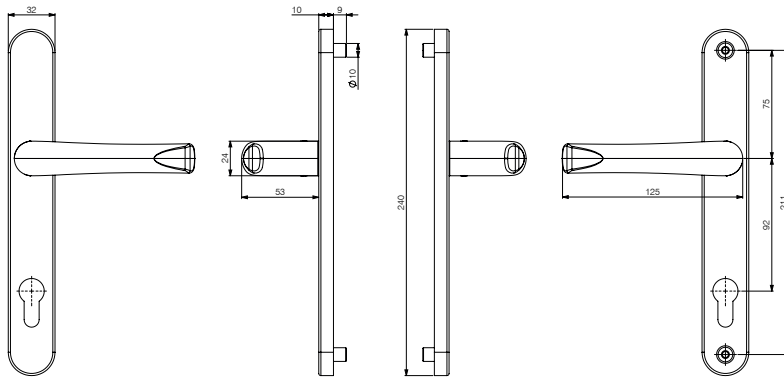
Polished Stainless



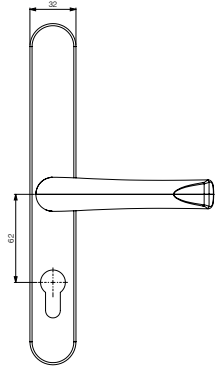
Polished Gold Stainless

Technical Drawing

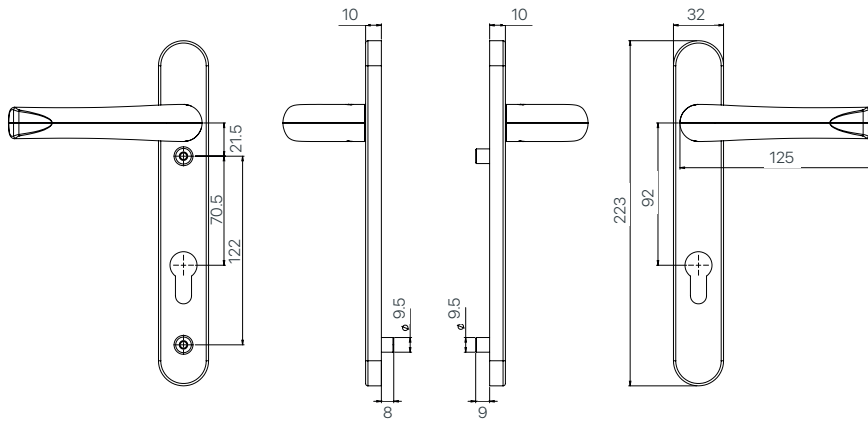
240mm | 92PZ



240mm | 92/62PZ



220mm | 92PZ



Universal design for both left and right handed doors. Now available in 240mm and 220mm backplate.

Part Numbers

Description	Grade	Variant	Backplate	PZ	Polished Stainless	Brushed Stainless	Polished Gold Stainless	Brushed Gold Stainless
Supa™ Door Handle	304	Lever/Lever	240mm	92	570501N	570502N	570504N	-
Supa™ Door Handle	316	Lever/Lever	240mm	92	571501	571502	571504	-
Supa™ Door Handle	304	Lever/Pad	240mm	92	570511	570512	570514	-
Supa™ Door Handle	304	Lever/Lever	240mm	92/62*	570541	570542	570544	-
Supa™ Door Handle	304	Lever/Pad	240mm	92/62	570551N	570552	570554N	-
Supa™ Door Handle	304	Blank Backplate	240mm	-	570561	570562	570564	570563
Supa™ Door Handle	304	Lever Blank	240mm	-	570571	570572	570574	570573
Supa™ Door Handle	304	Lever/Lever	220mm	92	570031	570032	570034	-

*Special order

Supa™ Safety Stainless Steel Door Handles



Ergonomic

Curved design combined with extended length helps grip during use & enables operation even with a closed fist

Protected

Returned lever prevents anything being caught & ensures safety

Accessible

Easily identifiable styling & available in a range of finishes which provide contrast for partially sighted people

Universal

Suitable for both left and right handed doors, 240mm backplate in PZ92 and PZ92/62



SUPA™ Stainless Steel Finishes.



Brushed Stainless



Polished Stainless



Polished Gold Stainless



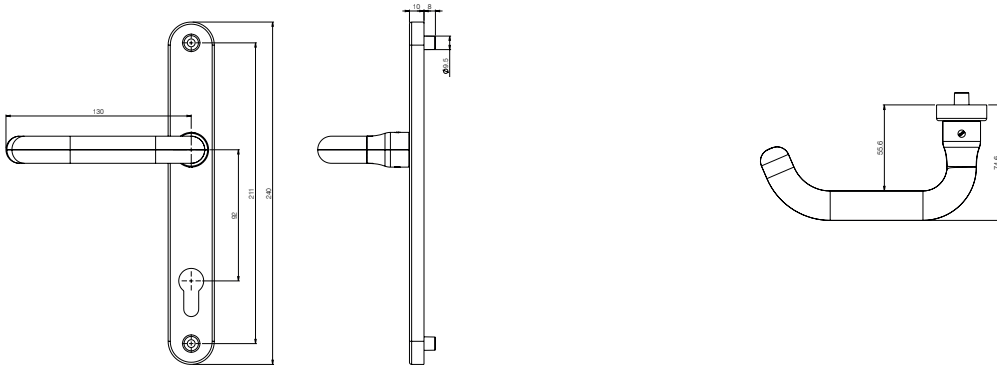
Black Stainless



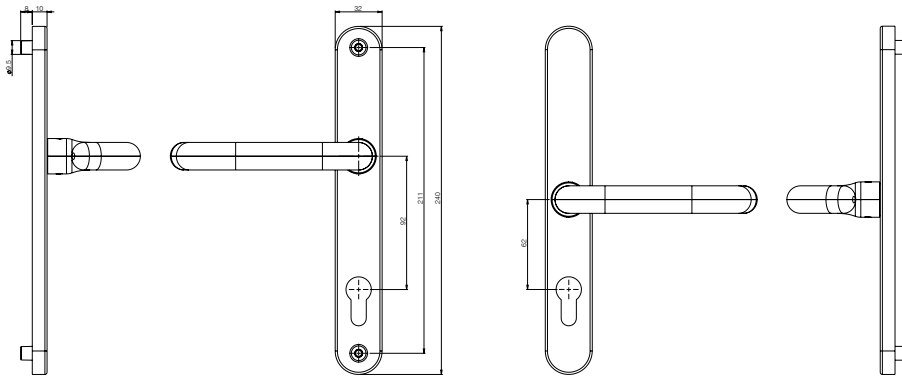
White Stainless

Technical Drawing

240mm | 92PZ



240mm | 92/62PZ



Part Numbers

Description	Grade	Variant	PZ	Polished Stainless	Brushed Stainless	Polished Gold Stainless	Brushed Gold Stainless	Black Stainless	White Stainless
Supa™ Safety Door Handle	304	240mm	92	570701	570702	570704	570703*	570707	570708
Supa™ Safety Door Handle	304	240mm	92/62	570741	570742	570744	570743*	570747	570748

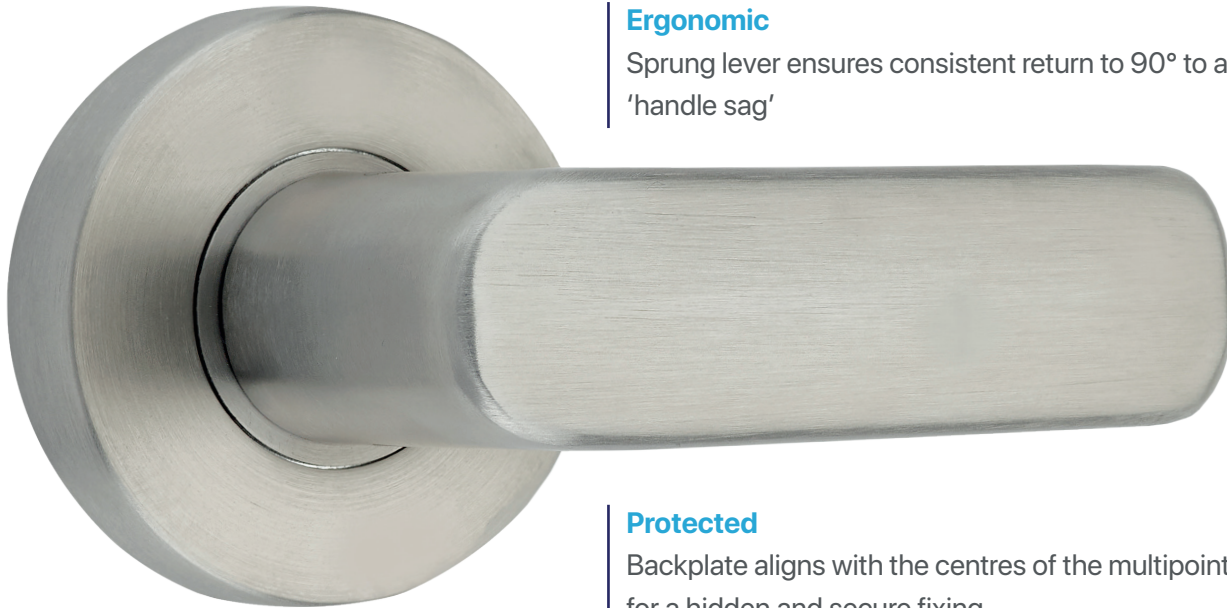
*Special order

EASY INSTALLATION

Universal design for both left and right handed doors.

Sold complete with spindles and 3 screw lengths as standard.

Supa™ Lever on Rose Stainless Steel Door Handle and Escutcheon



Ergonomic

Sprung lever ensures consistent return to 90° to avoid 'handle sag'

Protected

Backplate aligns with the centres of the multipoint lock gearbox for a hidden and secure fixing



Secure Hold

Spindle comes with rubber insert for a superior interference fit into the lever which aids fabrication

Matching Round Escutcheon

Completes the look



SUPA™ Stainless Steel Finishes.



Brushed Stainless



Polished Stainless



Polished Gold Stainless

SUPA™ Suited

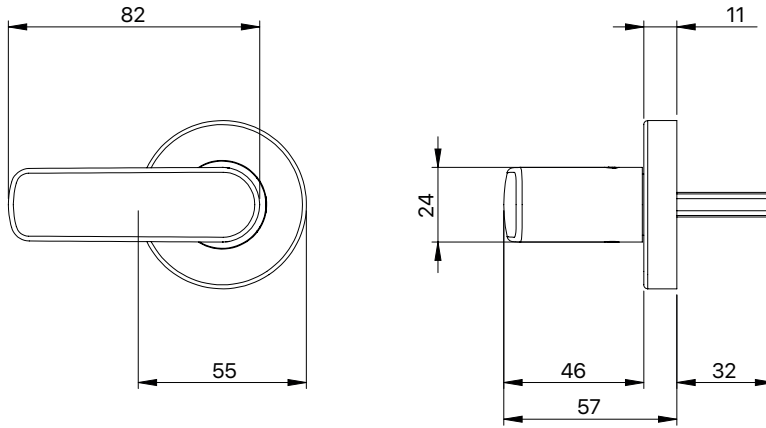
For a **fully coordinated** look, add our **SUPA™ stainless steel** pull bar to the outside of your door.

See more on page. 16

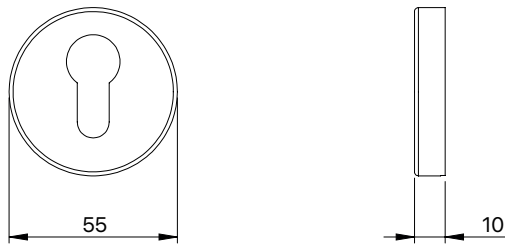


Technical Drawing

Lever on Rose Door Handle



Escutcheon



Part Numbers

Description	Polished Stainless	Brushed Stainless	Polished Gold Stainless
Supa™ Town Lever on Rose Door Handle & Escutcheon	571711	571712	571714

Supa™ Stainless Steel Letterplate

Coordinated

Matching stainless steel frame and flap

Intelligent

Flap opens fully to 180° without abrasion

Durable

Manufactured from high quality stainless steel, grade 304

Ergonomic

Finger recesses both internally and externally enable easy opening



Sleek

Concealed flap-operating mechanism for seamless design

Universal

Fits door thicknesses 24mm-56mm or 61mm-91mm with our telescopic sleeve extender



SUPA™ Stainless Steel Finishes.



Brushed Stainless



Brushed Gold Stainless



Polished Stainless



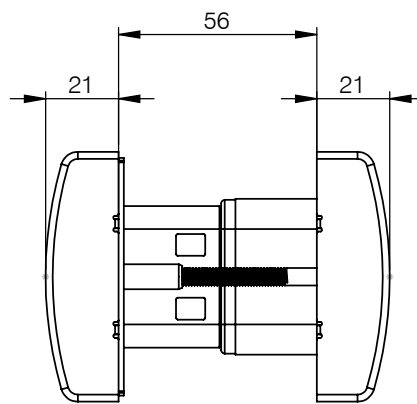
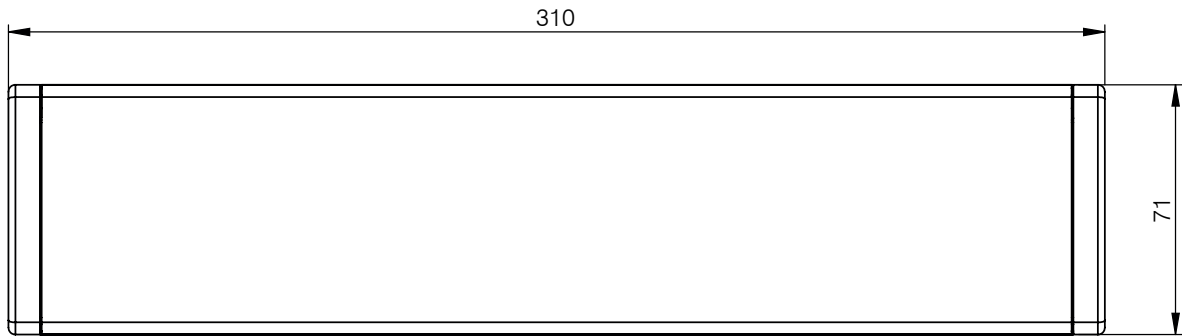
Polished Gold Stainless



Luna Black Stainless



Luna Grey Stainless



Part Numbers

Description	Grade	Polished Stainless	Brushed Stainless	Polished Gold Stainless	Brushed Gold Stainless	Luna Black Stainless	Luna Grey Stainless
Supa™ Letterplate	304	112001	112002	112004	112003	112006	112000

Description	Part Number
Supa™ Letterplate Sleeve Extender & Accs. 61-91mm	112090

Supa™ Stainless Steel Round Pull Bars



High Quality Finish

Brushed stainless steel, grade 316

3 Fixing Options

Through fix, concealed fix or back-to-back

2 Styles

In-line or Offset

8 Lengths*

400mm, 600mm, 1000mm, 1200mm, 1400mm, 1600mm, 1800mm

*Luna Black & Grey Stainless only available in 800mm, 1200mm & 1800mm.

Universal

Suitable for both left and right handed doors

Matching Round Escutcheon

Completes the look



SUPA™ Stainless Steel Finishes.



Brushed Stainless

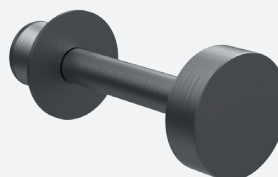


Luna Black Stainless

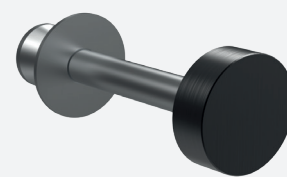


Luna Grey Stainless

Colour-Matched Fixing Kits



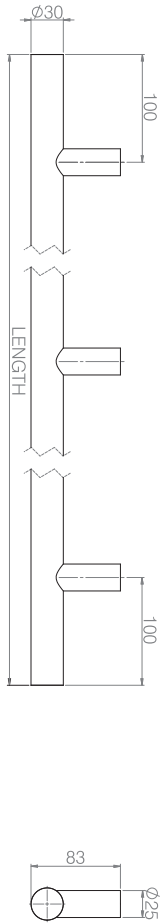
Through Fix Kit
Luna Grey



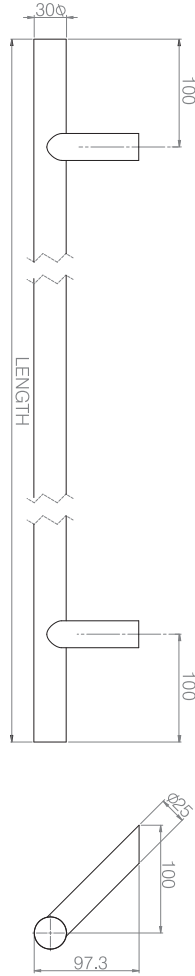
Through Fix Kit
Luna Black

Technical Drawing

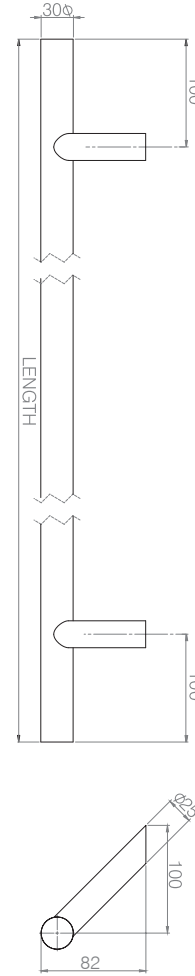
Inline Pull Bar



Offset Pull Bar 60°



Offset Pull Bar 45°



Choose your
Fixing Kit Option
P.41

Part Numbers

Inline Round Pull Bars

Finish	Grade	400mm	600mm	800mm	1000mm	1200mm	1400mm	1600mm	1800mm
Brushed Stainless	304	573102	573112	573122	573132	573142	573152	573162	573172
Luna Black Stainless	304	-	-	573125	-	573145	-	-	573175
Luna Grey Stainless	304	-	-	573129	-	573149	-	-	573179

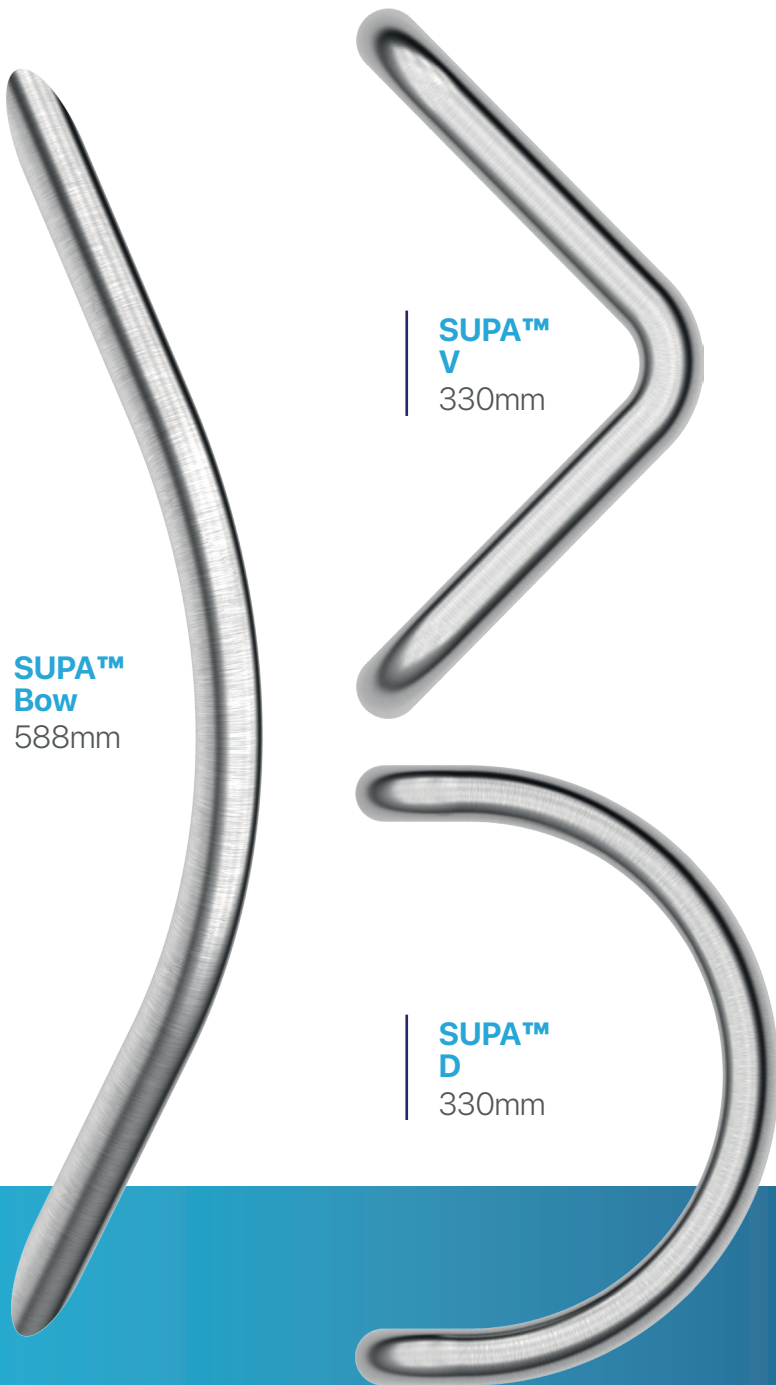
Offset 60° Round Pull Bars

Finish	Grade	400mm	600mm	800mm	1000mm	1200mm	1400mm	1600mm	1800mm
Brushed Stainless	304	573002	573012	573022	573032	573042	573052	573062	573072
Luna Black Stainless	304	-	-	573025	-	573045	-	-	573075
Luna Grey Stainless	304	-	-	573029	-	573049	-	-	573079

Offset 45° Round Pull Bars

Finish	Grade	400mm	600mm	800mm	1000mm	1200mm	1400mm	1600mm	1800mm
Brushed Stainless	304	573006	573016	573026	573036	573046	573056	573066	573076

Supa™ Stainless Steel Curved Pull Bars



**SUPA™
Bow**
588mm

**SUPA™
V**
330mm

**SUPA™
D**
330mm

High Quality Finish

Brushed stainless steel, grade 316

3 Fixing Options

Through fix, concealed fix or back-to-back

3 Styles

Bow, V and D shapes

Universal

Suitable for both left and right handed doors

Matching Round Escutcheon

Completes the look



SUPA™ Stainless Steel Finishes.

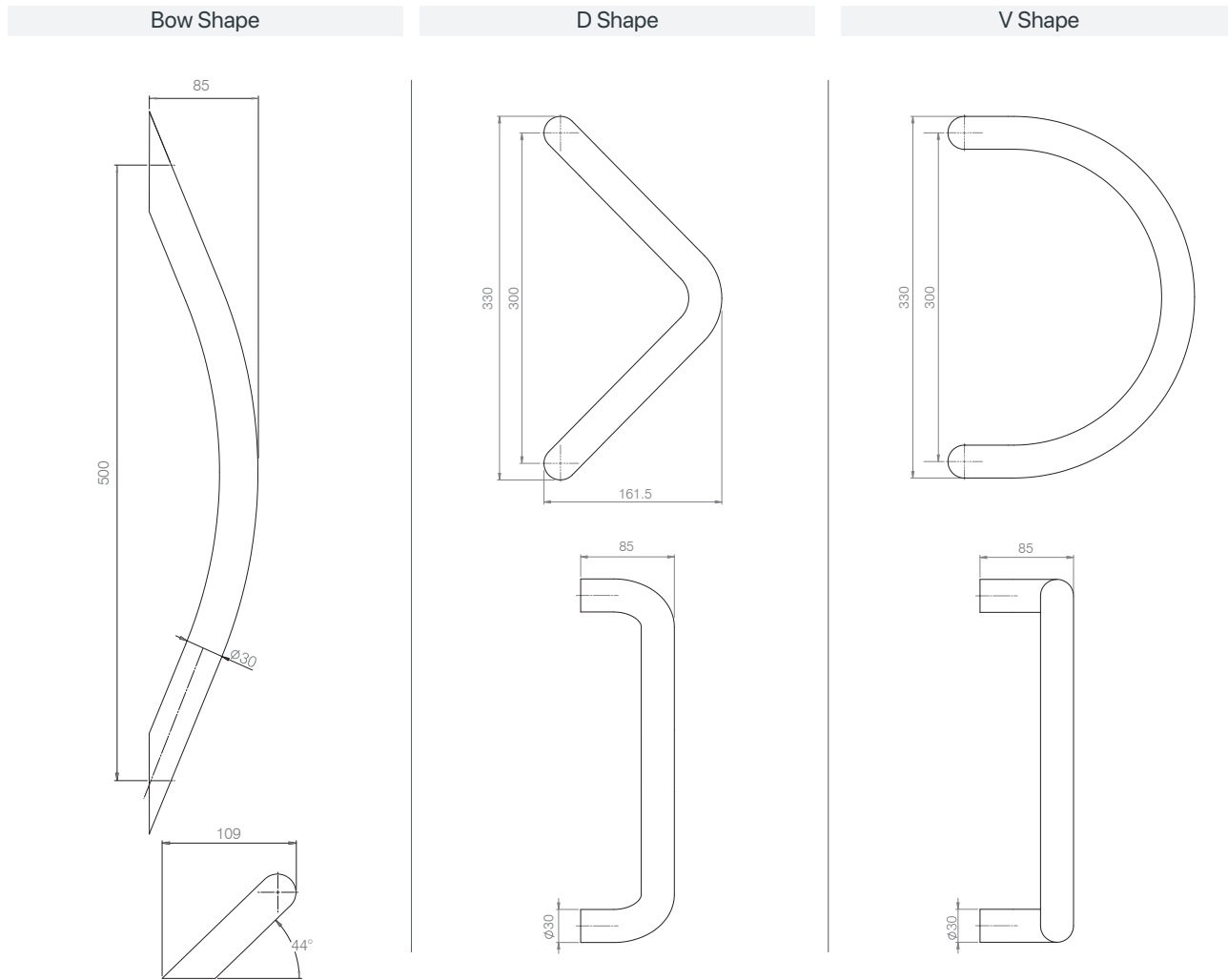


Brushed Stainless



SUPA™ Suited

For a **fully coordinated** look, add our concealed-fix SUPA™ stainless steel escutcheons.

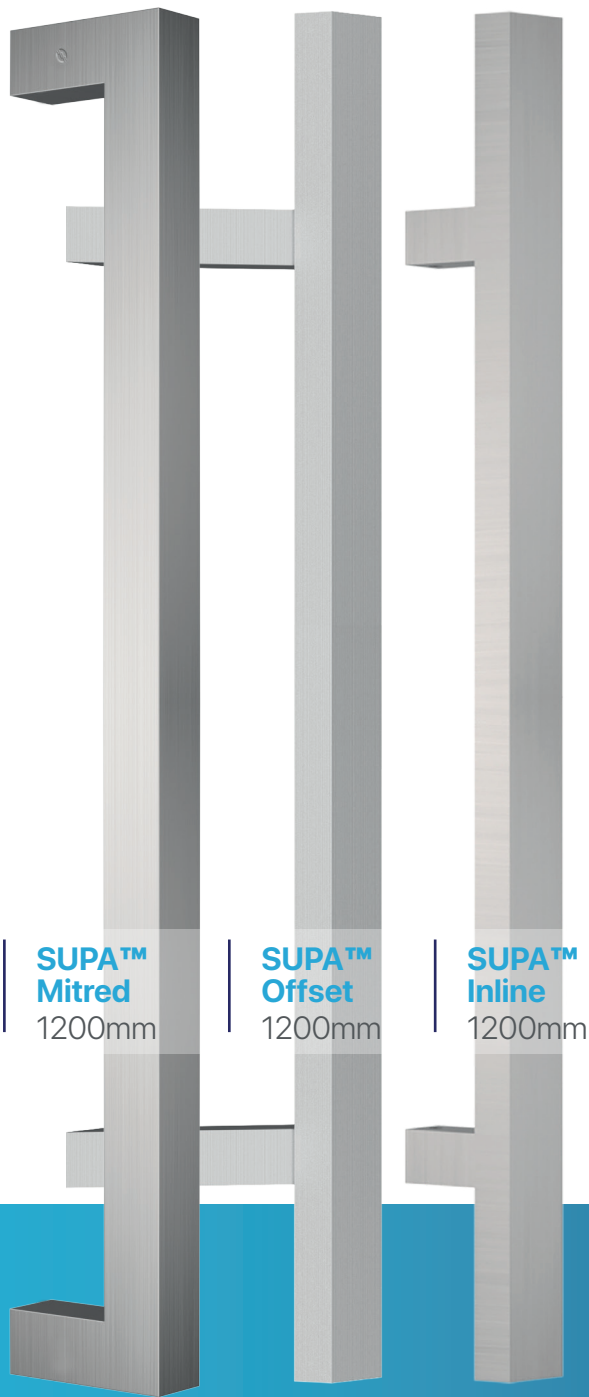


Choose your
Fixing Kit Option
P.41

Part Numbers

Description	Variant	Grade	Overall Length	Fixing Centers	Fixing Points	Brushed Stainless
Supa™ Curved Pull Bar	D	304	330mm	300mm	2	573202
Supa™ Curved Pull Bar	V	304	330mm	300mm	2	573212
Supa™ Curved Pull Bar	Bow	304	588mm	500mm	2	573222

Supa™ Stainless Steel Square Pull Bars



SUPA™ Mitred
1200mm

SUPA™ Offset
1200mm

SUPA™ Inline
1200mm

High Quality Finish

Brushed stainless steel, grade 316 & grade 304

3 Fixing Options

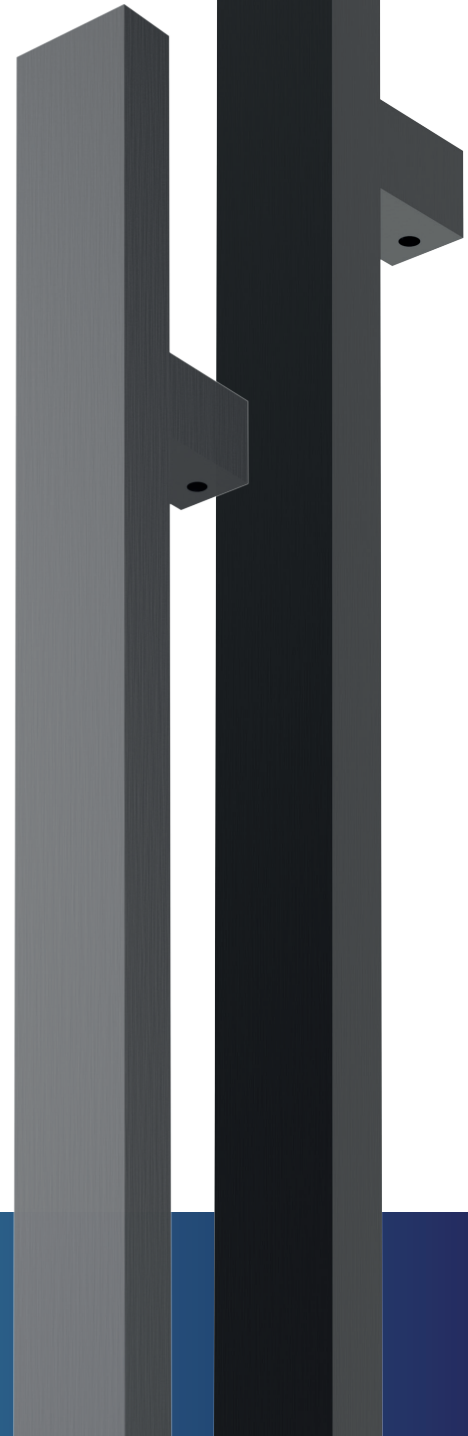
Through fix, concealed fix or back-to-back

Universal

Suitable for both left and right handed doors

Matching Square Escutcheon

Completes the look



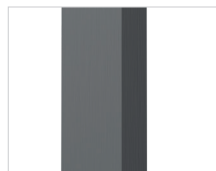
SUPA™ Stainless Steel Finishes.



Brushed Stainless



Luna Black Stainless

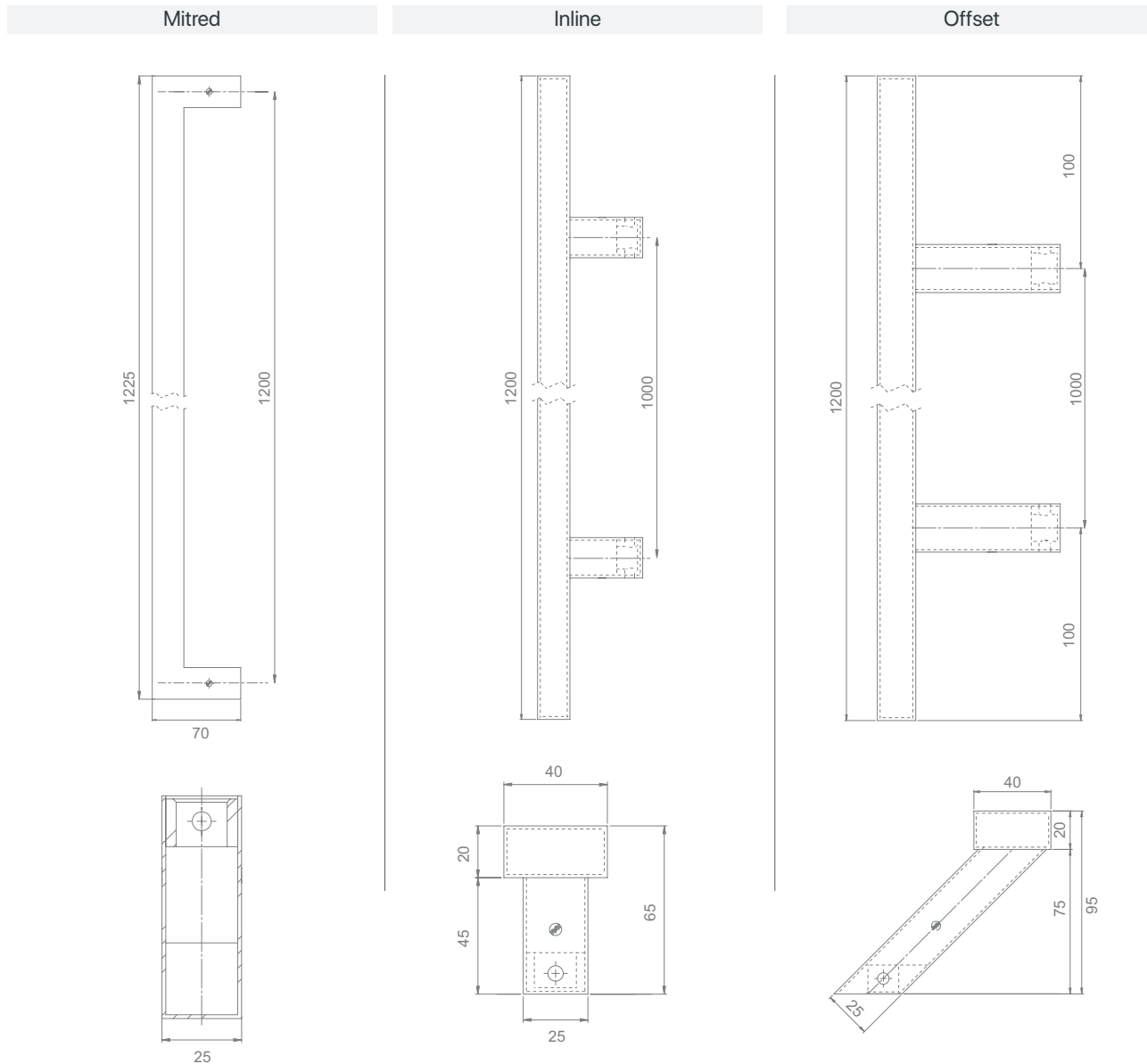


Luna Grey Stainless



SUPA™ Suited

For a **fully coordinated** look, add our concealed-fix SUPA™ stainless steel escutcheons.



Choose your
Fixing Kit Option
P.41

Part Numbers

Description	Variant	Grade	Length	Fixing Points	Brushed Stainless	Luna Grey Stainless	Luna Black Stainless
Supa™ Square Pull Bar	Mitred	316	1200mm	2	572102	-	-
Supa™ Square Pull Bar	Inline	316	1200mm	2	572112	-	-
Supa™ Square Pull Bar	Offset	316	1200mm	2	572122	-	-
Supa™ Square Pull Bar	Inline	304	1200mm	2	-	572129	572125
Supa™ Square Pull Bar	Offset	304	1200mm	2	-	572119	572115

Supa™ Stainless Steel Door Knobs



High Quality Finish

Brushed stainless steel, grade 304

2 Fixing Options

Through fix or concealed fix

Universal

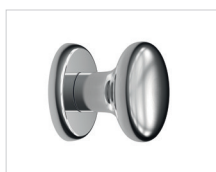
Suitable for both left and right handed doors



SUPA™ Stainless Steel Finishes.



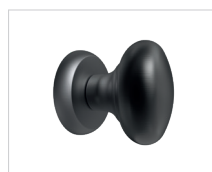
Brushed Stainless



Duo Stainless
Polished Rose & Brushed Knob



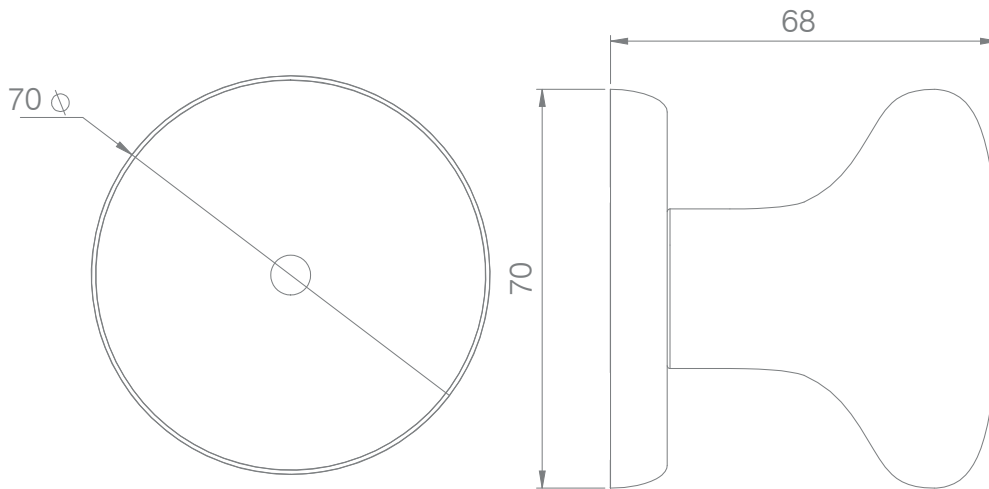
Duo Gold Stainless
Polished Rose & Brushed Knob



Luna Black Stainless



Luna Grey Stainless



Part Numbers

Description	Variant	Grade	Duo Stainless	Duo Gold	Brushed Stainless	Luna Black Stainless	Luna Grey Stainless
Supa™ Door Knob	Through Fix	304	574000	574003	574002	574006	574009
Supa™ Door Knob	Concealed Fix	304	574010*	574013*	574012	574016	574019

*Special order

Supa™ Stainless Steel Fixing Kit Guide

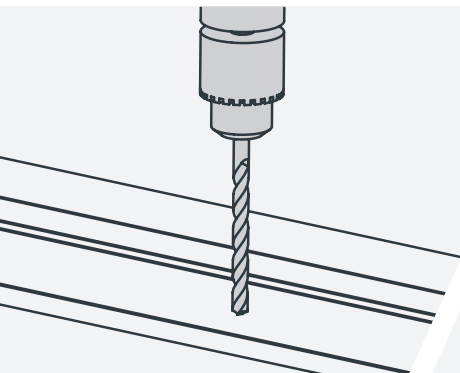
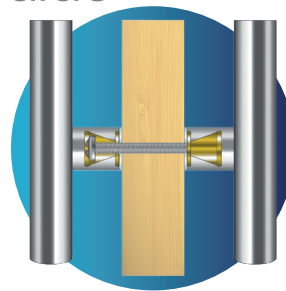
Back to Back Installation.

400mm to 1200mm

Pull bars have **2 fixing points**

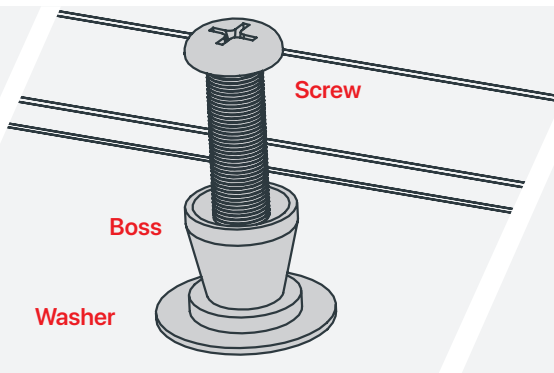
1400mm to 1800mm

Pull bars have **3 fixing points** and require an additional fixing pack



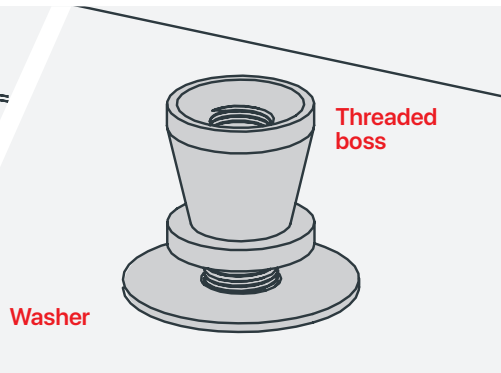
1. Measure and mark both sides of the door for accuracy

Drill an 8mm hole into the door at the required locations.



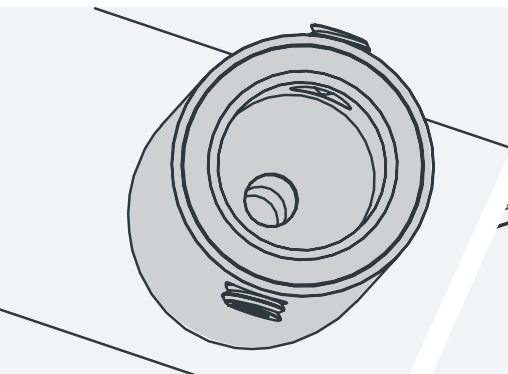
2. From the internal side of the door;

Slide a non-threaded boss (*flat base towards the door*) onto the M8 screw, followed by a clear plastic washer. Locate onto door, into one of drilled holes.



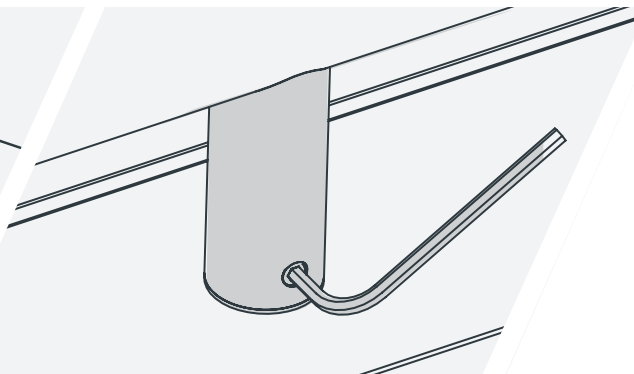
3. From the external side of the door;

Position a plastic washer over the screw followed by the threaded boss (*flat base against the door*) and tighten with PH3 screwdriver - do not over tighten. Repeat for remaining fixings positions.



4. On the pull bar;

Ensure grub screws are fully out before fitting over boss.



5. Locate the pull bar over the boss,

Tighten both grub screws on both to secure.

Part Numbers

Description	Type	Grade	Brushed Stainless
Supa™ Pull Bar Fixing Kit	Back-to-back, 44mm - 56mm slab	304	573315
Supa™ Pull Bar Fixing Kit	Back-to-back, 64mm - 76mm slab	304	573316
Supa™ Pull Bar Fixing Kit	Back-to-back, 74mm - 85mm slab	304	573317

Supa™ Stainless Steel Fixing Kit Guide

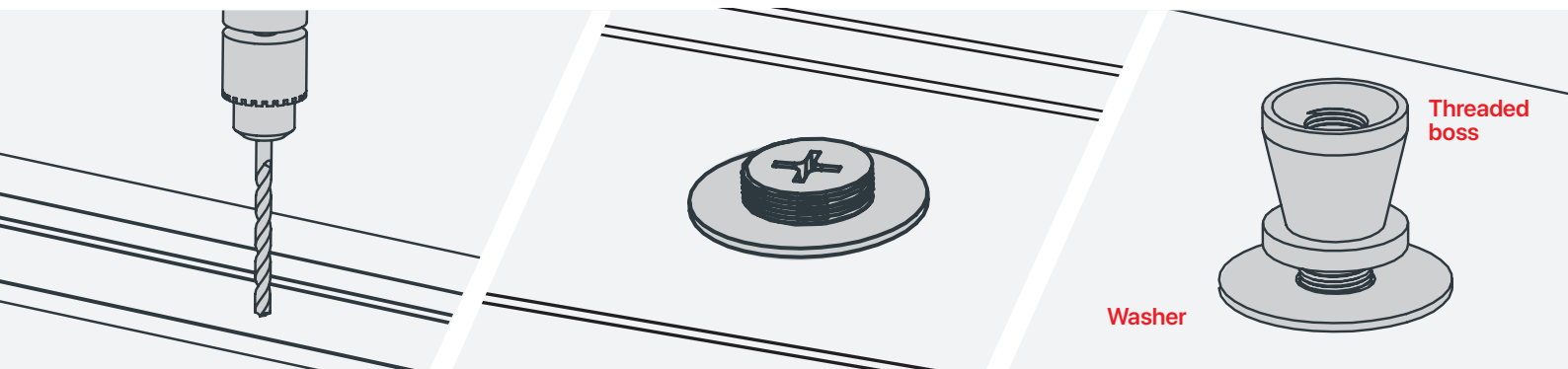
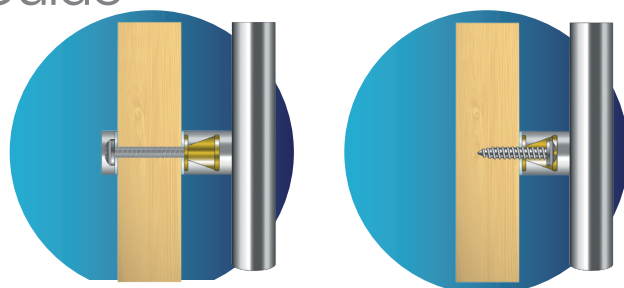
Through & Concealed Installation.

400mm to 1200mm

Pull bars have **2 fixing points**

1400mm to 1800mm

Pull bars have **3 fixing points** and require an additional fixing pack



1. Through fix - Measure and mark both sides of the door for accuracy

Drill an 8mm hole into the door at the required locations.

2. Through fix - From the internal side of the door;

Slide a clear plastic washer onto the M8 screw and locate onto door, into one of drilled holes.

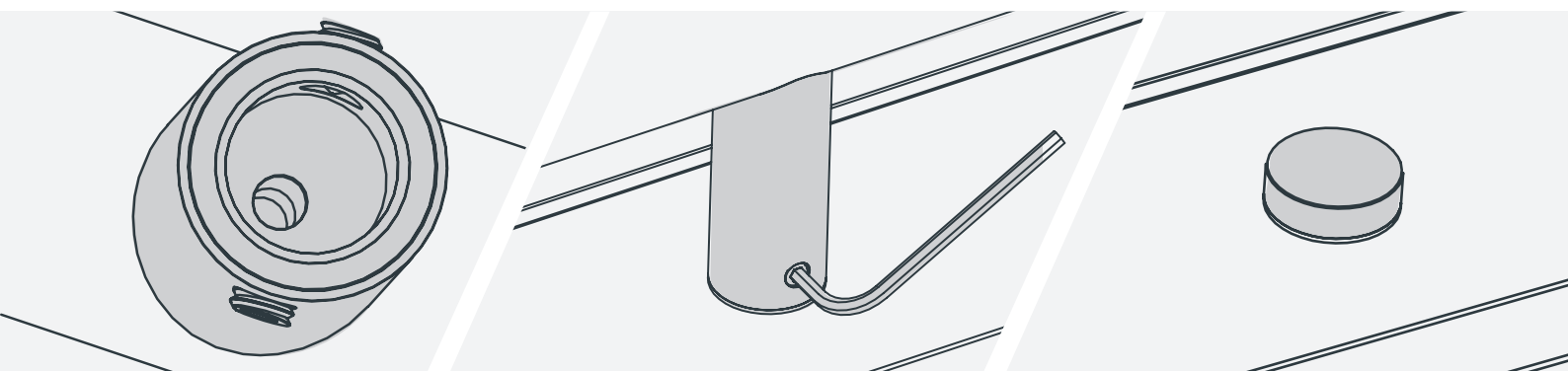
3. Through fix - From the external side of the door;

Position a plastic washer over the screw followed by the threaded boss (*flat base against the door*)

Concealed fix - From the external side of the door;

Thread the screw through the boss and a washer and locate the flat base against door.

Tighten with PH3 screwdriver - do not over tighten. Repeat for remaining fixings positions.



4. On the pull bar;

Ensure grub screws are fully out before fitting over boss.

5. Locate the pull bar over the boss,

Tighten both grub screws on both to secure.

6. Through fix - From the internal side of the door;

Screw disc over screw and washer.

Part Numbers

Description	Type	Grade	Brushed Stainless	Luna Black Stainless	Luna Grey Stainless
Supa™ Pull Bar Fixing Kit	Through	304	573302	573029	573025
Supa™ Pull Bar Fixing Kit	Concealed	304	573320	-	-

SupaSecure™ Stainless Steel Escutcheon



Deterrent

Secured by Design logo laser etched onto external escutcheon, BSI Kitemark etched onto internal escutcheon

Durable

Cast stainless steel, grade 304, provides strength and a long-lasting finish

Clever

Chamfered shoulders provide mole-grip resistance

Protected

Anti-drill disc spins if attacked to provide complete cylinder protection



SUPA™ Stainless Steel Finishes.



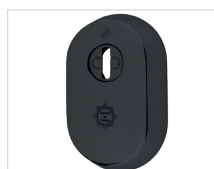
Brushed Stainless



Polished Gold Stainless



Polished Stainless

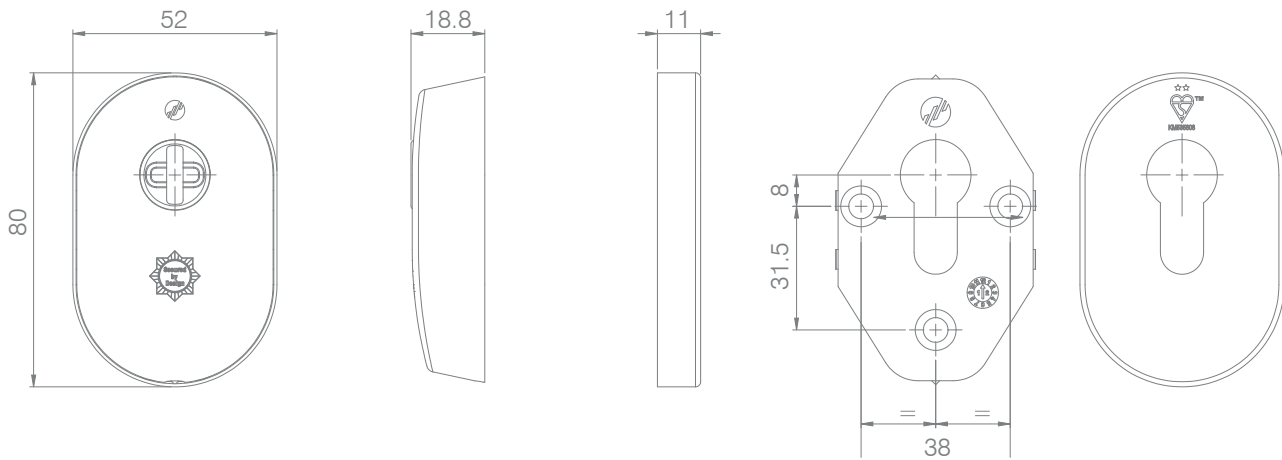


Luna Black Stainless



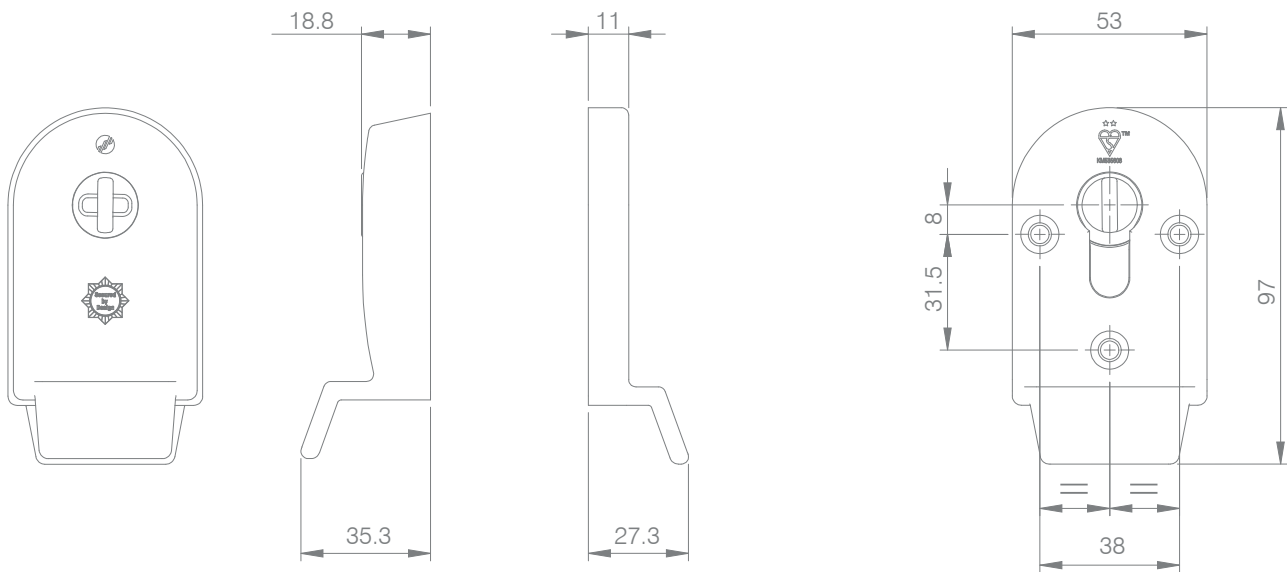
Luna Grey Stainless

Security Escutcheon



Choose your
Fixing Kit Option
P.41

Security Pull Escutcheon



Part Numbers

Description	Grade	Polished Stainless	Brushed Stainless	Polished Gold Stainless	Luna Black Stainless	Luna Grey Stainless
SupaSecure™ Escutcheon	304	579081	579082	579084	579066	579060
SupaSecure™ Pull Escutcheon	304	579061	579062	579064	579086	579080

Supa™ Stainless Steel Escutcheon



High Quality Finishes

Grade 304 & Grade 316

3 Designs

Standard, pull and square

Universal

Suitable for both left and right-handed doors

Concealed Fixing

The stainless steel clip-fit cover, conceals fixings in a sturdy nylon bracket (standard and square escutcheons only)



SUPA™ Stainless Steel Finishes.



Brushed Stainless



Polished Gold Stainless



Polished Stainless



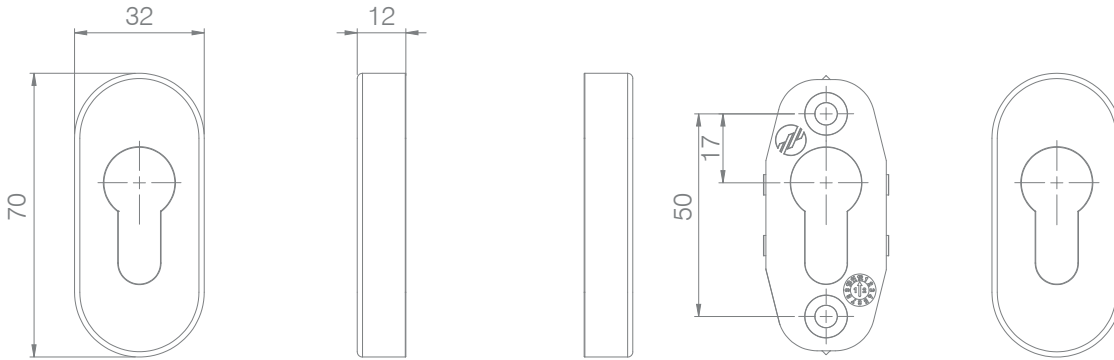
Luna Black Stainless*



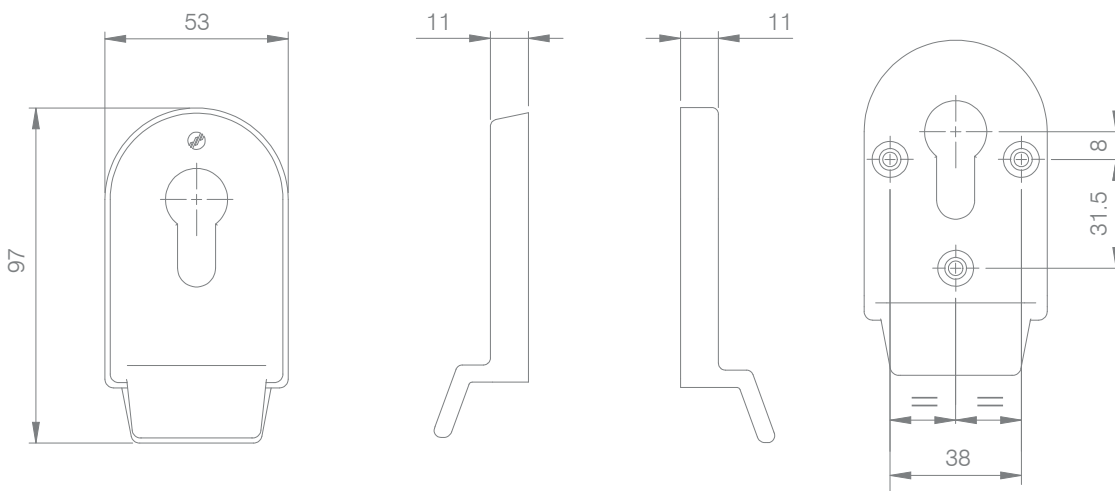
Luna Grey Stainless*

Technical Drawing

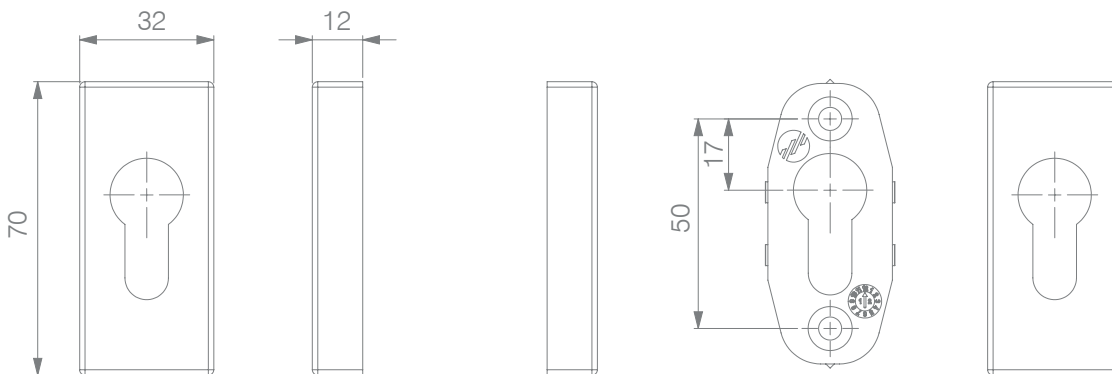
Round Escutcheon



Round Pull Escutcheon



Square Escutcheon



Choose your
 Fixing Kit Option
P.41

Part Numbers

Description	Grade	Polished Stainless	Brushed Stainless	Polished Gold Stainless	Luna Black Stainless	Luna Grey Stainless
Supa™ Escutcheon	304	579001	579002	579004	-	-
Supa™ Escutcheon	316	579021	579022	579024	-	-
Supa™ Pull Escutcheon	304	579041	579042	579044	579046	579040
Supa™ Square Escutcheon	316	-	579032	-	-	-

Supa™ Stainless Steel Numerals & Letters



High Quality Finishes

Grade 304
& 316 (Brushed Stainless only)

Contemporary Style

Numerals 0–9 and letters A–F to create
any standard property combination



SUPA™ Stainless Steel Finishes.



Polished Stainless



Polished Gold Stainless



Brushed Gold Stainless



Brushed Stainless



Part Numbers

Description	Number	Polished Stainless	Polished Gold Stainless	Brushed Gold Stainless	Brushed Stainless
		Grade 304	Grade 304	Grade 304	Grade 316
Supa™ Numeral	0	578040	578060	578080	578000
Supa™ Numeral	1	578041	578061	578081	578001
Supa™ Numeral	2	578042	578062	578082	578002
Supa™ Numeral	3	578043	578063	578083	578003
Supa™ Numeral	4	578044	578064	578084	578004
Supa™ Numeral	5	578045	578065	578085	578005
Supa™ Numeral	6	578046	578066	578086	578006
Supa™ Numeral	7	578047	578067	578087	578007
Supa™ Numeral	8	578048	578068	578088	578008
Supa™ Numeral	9	578049	578069	578089	578009
Supa™ Letter	A	578050	578070	578090	578010
Supa™ Letter	B	578051	578071	578091	578011
Supa™ Letter	C	578052	578072	578092	578012
Supa™ Letter	D	578053	578073	578093	578013
Supa™ Letter	E	578054	578074	578094	578014
Supa™ Letter	F	578055	578075	578095	578015

Supa™

Stainless Steel Victorian Urn Door Knocker



High Quality Finishes

Grade 304

Traditional Design

6" with 2 fixing options
(concealed or through-fix)

Universal

Suitable for both left and right-handed doors

Concealed Fixing

The stainless steel clip-fit cover, conceals fixings in a sturdy nylon bracket (standard and square escutcheons only)



SUPA™ Stainless Steel Finishes.



Brushed Stainless



Polished Gold Stainless



Polished Stainless



Brushed Gold Stainless

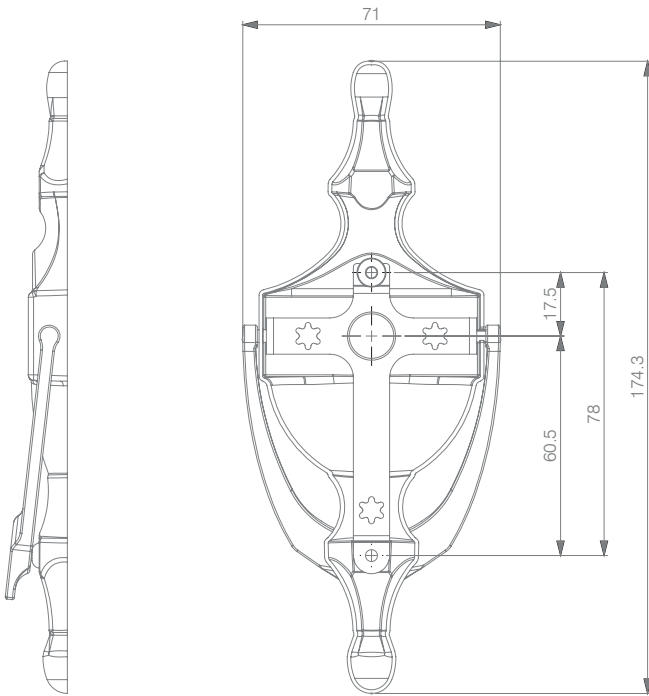


Black Stainless



White Stainless

Technical Drawing



Choose your
 Fixing Kit Option
P.41

Part Numbers

Description	Grade	Size	Fixing	Brushed Stainless	Polished Gold Stainless	Polished Stainless	Brushed Gold Stainless	Black Stainless	White Stainless
Supa™ Urn Knocker	304	6"	Through	590492	590494	590491	-	-	-
Supa™ Urn Knocker	304	6"	Concealed	590462	590464	590461	590463	590467	590468
Supa™ Urn Knocker with hole	304	6"	Through	590532	590534	590531	-	-	-
Supa™ Urn Knocker with hole	304	6"	Concealed	590572	590574	590571	590573	590577	590578

Supa™

Stainless Steel Victorian Urn Slimline Door Knocker



Ponytail Silhouette

Adds elegance and visual interest to both contemporary and modern doors

Seamless Design

6" with concealed fixing bracket allowing fitting without drilling through the door, simplifying installation

Universal

Suitable for both left and right-handed doors



SUPA™ Stainless Steel Finishes.



Brushed Stainless



Polished Gold Stainless



Polished Stainless

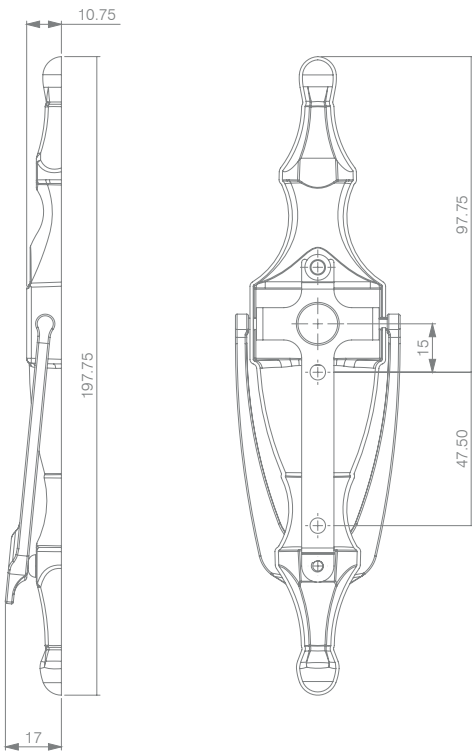


Black Stainless



White Stainless

Technical Drawing



Part Numbers

Description	Grade	Size	Fixing	Brushed Stainless	Polished Gold Stainless	Polished Stainless	Black Stainless	White Stainless
Supa™ Victorian Urn Slimline Knocker	304	6"	Concealed	591212	591214	591211	591217	591218
Supa™ Victorian Urn Slimline Knocker with hole	304	6"	Concealed	591222	591224	591221	591227	591228

Supa™

Stainless Steel Ponytail Door Knocker



Ponytail Silhouette

Adds elegance and visual interest to both contemporary and modern doors

Seamless Design

6.5" with concealed fixing bracket allowing fitting without drilling through the door, simplifying installation

Universal

Suitable for both left and right-handed doors



SUPA™ Stainless Steel Finishes.



Brushed Stainless



Polished Gold Stainless



Polished Stainless

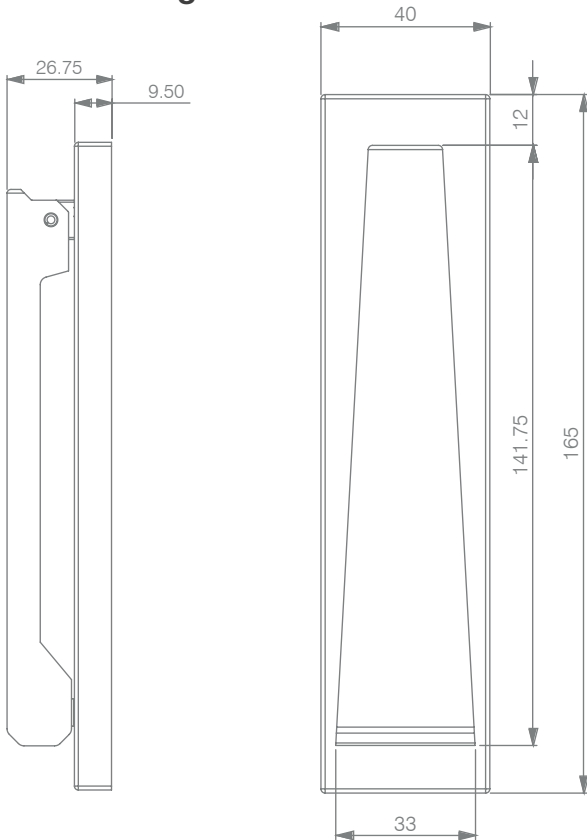


Luna Black Stainless



Luna Grey Stainless

Technical Drawing



Part Numbers

Description	Grade	Size	Fixing	Brushed Stainless	Polished Gold Stainless	Polished Stainless	Black Stainless	White Stainless	Luna Black Stainless	Luna Grey Stainless
Supa™ Ponytail Kocker	304	6.5"	Concealed	591202	591204	591201	591207	591208	591206	591200

Supa™

Stainless Steel Victorian Scroll Door Knocker



Ornate Scrollwork Design

Inspired by 19th-century craftsmanship adds timeless elegance and authenticity to period properties

Seamless Design

6.5" with concealed fixing bracket allowing fitting without drilling through the door, simplifying installation

Universal

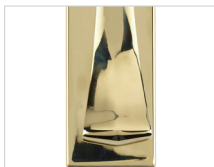
Suitable for both left and right-handed doors



SUPA™ Stainless Steel Finishes.



Brushed Stainless



Polished Gold Stainless



Polished Stainless

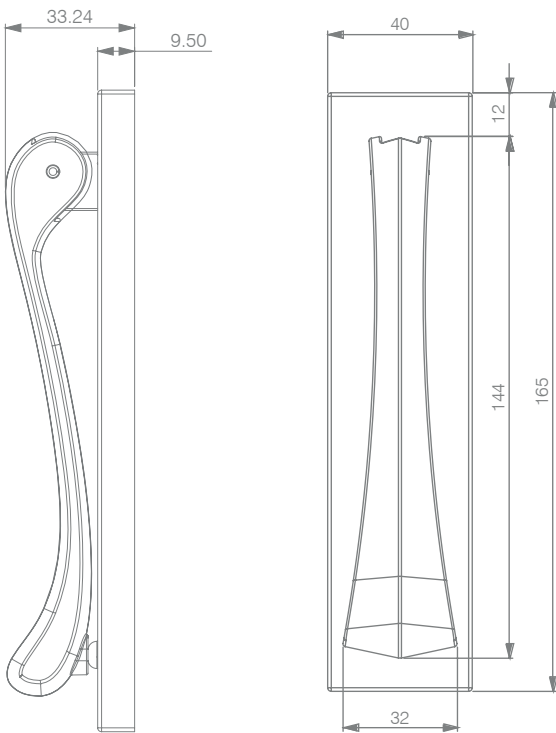


Luna Black Stainless



Luna Grey Stainless

Technical Drawing



Part Numbers

Description	Grade	Size	Fixing	Brushed Stainless	Polished Gold Stainless	Polished Stainless	Black Stainless	White Stainless	Luna Black Stainless	Luna Grey Stainless
Supa™ Victorian Scroll Knocker	304	6.5"	Concealed	591232	591234	591231	591237	591238	591236	591230

Supa™

Stainless Steel Modern Oval Door Knocker



Sleek Oval Design

Minimalist contours creates a refined, contemporary aesthetic

Seamless Design

6.5" with concealed fixing bracket allowing fitting without drilling through the door, simplifying installation

Universal

Suitable for both left and right-handed doors



SUPA™ Stainless Steel Finishes.



Brushed Stainless



Polished Gold
Stainless



Polished Stainless



Black Stainless



Luna Black
Stainless

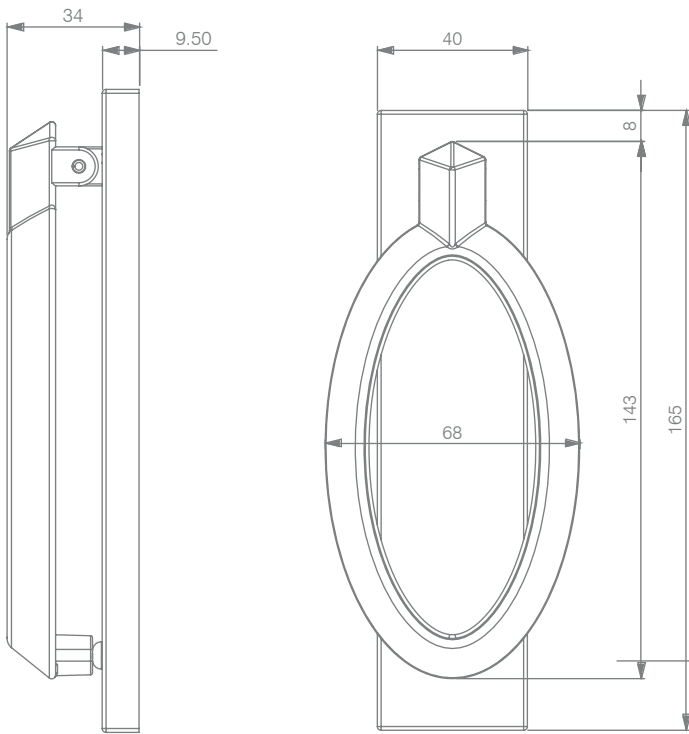


Luna Grey Stainless



Heritage Black
Stainless

Technical Drawing



Part Numbers

Description	Grade	Size	Fixing	Brushed Stainless	Polished Gold Stainless	Polished Stainless	Black Stainless	White Stainless	Luna Black Stainless	Luna Grey Stainless	Heritage Black Stainless
Supa™ Modern Oval Knocker	304	6.5"	Concealed	591242	591244	591241	591247	591248	591246	591240	591249

Supa™

Stainless Steel Doctor Door Knocker



Heritage Inspired Design

Rich detailing and balanced proportions evoke traditional craftsmanship for characterful homes

Seamless Design

6.5" with concealed fixing bracket allowing fitting without drilling through the door, simplifying installation

Universal

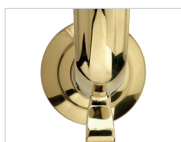
Suitable for both left and right-handed doors



SUPA™ Stainless Steel Finishes.



Brushed Stainless



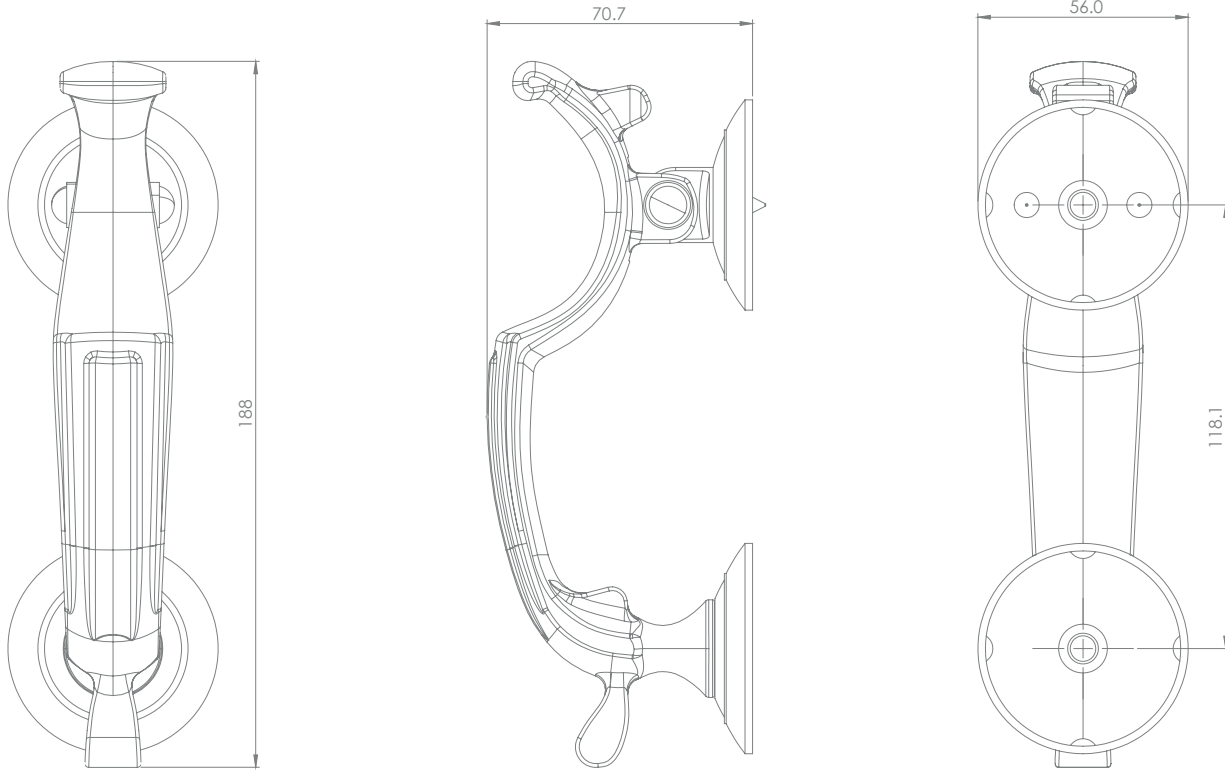
Polished Gold
Stainless



Polished Stainless



Technical Drawing



Part Numbers

Description	Grade	Size	Fixing	Brushed Stainless	Polished Gold Stainless	Polished Stainless
Supa™ Doctor Knocker	304	6.5"	Concealed	-	591264	-
Supa™ Doctor Knocker	316	6.5"	Concealed	591262	-	591261



SUPA-2026-V2.0
March 2026